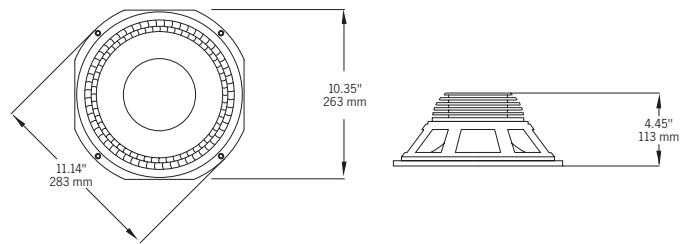


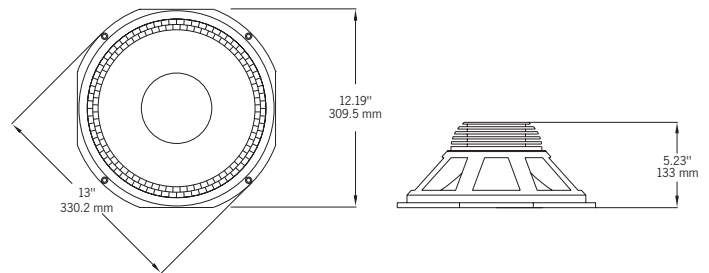
These units have been designed as high output bass mid drivers, for use in systems where keeping overall weight to a minimum is essential. Through the use of high energy neodymium magnets the weight of these models can be as little as 40% of their ferrite magnet equivalents.

Another advantage is that the new motor structure is magnetically shielded, allowing the units to be used in close proximity to sensitive electronic equipment such as computer and video monitors.

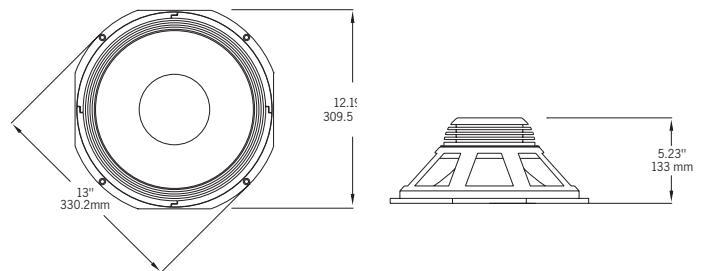
NL10MB



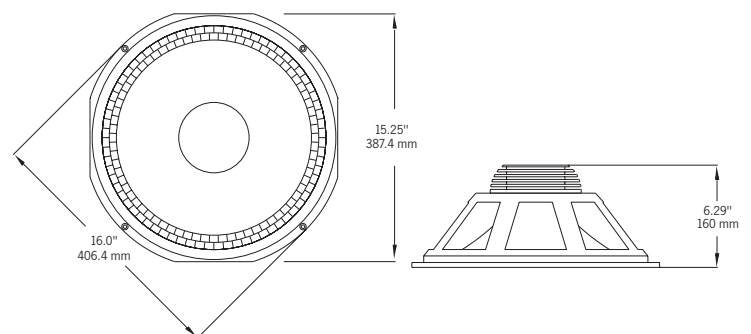
NL12MB-300



NL12MB-400



NL15MB



N-LITE SERIES OF NEODYMIUM DRIVE UNITS

Electro mechanical specifications

	NL10MB	NL12MB 300	NL12MB 400	NL15MB
Nominal Chassis Diameter (ins/mm)	10/250	12/305	12/305	15/381
Impedance (ohms)	8/16	8/16	8/16	8/16
Power Handling (watts AES)	300	300	400	300
Maximum Output Cont/Peak	117/123	119/125	121/127	120/126
Average Sensitivity 1W/1m (db)	96	97.5	98	99
Usable Freq range (-6dB) Hz-kHz	48 – 4	45 – 3.5	40 – 2.5	45 - 3
Resonance (Hz)	54	50	55	42
Voice coil diameter (ins/mm)	2.5/63.5	2.5/63.5	3/77	2.5/63.5

Construction Materials

	NL10MB	NL12MB 300	NL12MB 400	NL15MB
Coil former			Fibreglass	
Voice coil material	Copper	Copper	Aluminium	Copper
Chassis			Die cast aluminium	
Cone	Paper	Paper	Polycellulose	Paper
Surround/edge termination: 10MB/12MB-300 & 15MB 12MB-400			Polyvinyl Damped Double Half Roll Linen Polyvinyl Damped Multi Roll Linen	
Magnet			Neodymium	
Connectors			Push Button Spring Terminals	
Polarity			Positive voltage at red terminal causes forward motion of cone	

Mounting information

	NL10MB	NL12MB 300	NL12MB 400	NL15MB
Bolt fixing holes: 10MB				4 x 0.218 inch diam on 10.625 PCD/4 x 5.5mm diam on 270PCD
12MB (300&400)				4 x 0.218 inch diam on 12.5 PCD/4 x 5.5mm diam on 318.0 PCD
15MB				4 x 0.28 inch diam on 15.5 PCD/4 x 7.1mm diam on 393.7 PCD
Overall diameter (inch/mm)	11.16/283.4	13/330.2	13/330.2	16/406.4
Depth (inch/mm)	4.45/113	5.23/133	5.23/133	6.29/160
Weight (lb/kg)	5.94/2.7	6.38/2.9	7.7/3.5	7.26/3.3
Packing carton dimensions (mm)	288x288x195	340x340x222	340x340x222	415x415x250



Additional literature available



Fane Acoustics Ltd.
Unit 1, Millshaw Park Avenue
Millshaw Park Industrial Estate
Leeds LS11 0LR, England

Tel: +44 (0) 113 277 8600
Fax: +44 (0) 113 277 8700

e-mail: info@fane-acoustics.com
www.fane-acoustics.com